



# Sparrow

Assembly Instructions / 组装指南



**E SKY**<sup>®</sup>

# Safety Precautions and Warnings

---

RC aircraft is controlled by radio signals. It may be interfered by other radio signals during operation. This interference may cause the aircraft lose control.



Warning

1. Improper operation of the ESKY Sparrow may lead to damage or loss. It is prohibited for children under 14 years to operate this product.
2. Do not expose the aircraft to high temperature during for storage and flight.
3. Suggested operation temperature: 5-35°C , Humidity: 20-80%.
4. Keep away from fans, air conditioner and table lights while flying.
5. Do not touch the motor in case of damage or injury.



Prohibition

1. Keep away from crowds in case of accidents.
2. Do not operate ESKY Sparrow in the shower room or in rain. Moisture may enter the aircraft which may cause electronic parts malfunction and unexpected incident.
3. Do not re-equip or repair your aircraft with unauthorized parts.
4. Keep people and objects away from the spinning unit and parts in case of damage or injury.

## Table of Contents

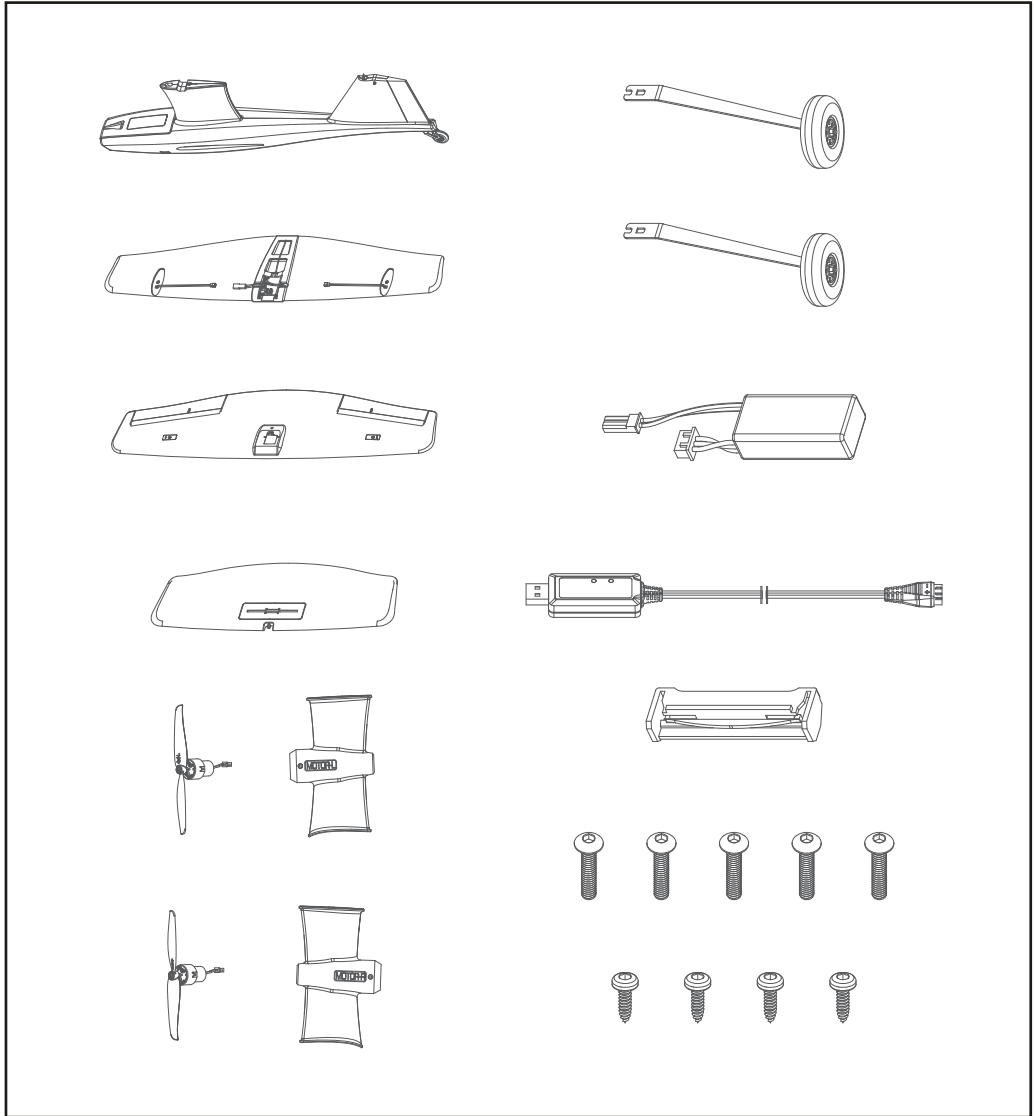
---

Box Contents .....	3
Model Assembly - Horizontal Tail Installation .....	4
Model Assembly - Bottom Wing Installation .....	5
Model Assembly - Left Motor and Left Wing Strut Installation .....	6
Model Assembly - Right Motor and Right Wing Strut Installation .....	7
Model Assembly - Top Wing Installation .....	8
Model Assembly - Bottom Wing Mount Installation .....	9
Model Assembly - Servo Wires Installation .....	10
Model Assembly - Main Landing Gear Installation .....	11
Model Assembly - Hatch Installation .....	12

# Box Contents

- 1 x Fuselage
- 1 x Bottom Wing Set
- 1 x Top Wing Set
- 1 x Horizontal Tail Set
- 1 x Left Wing Strut + Right Wing Strut
- 1 x Left Motor + Right Motor with Propeller

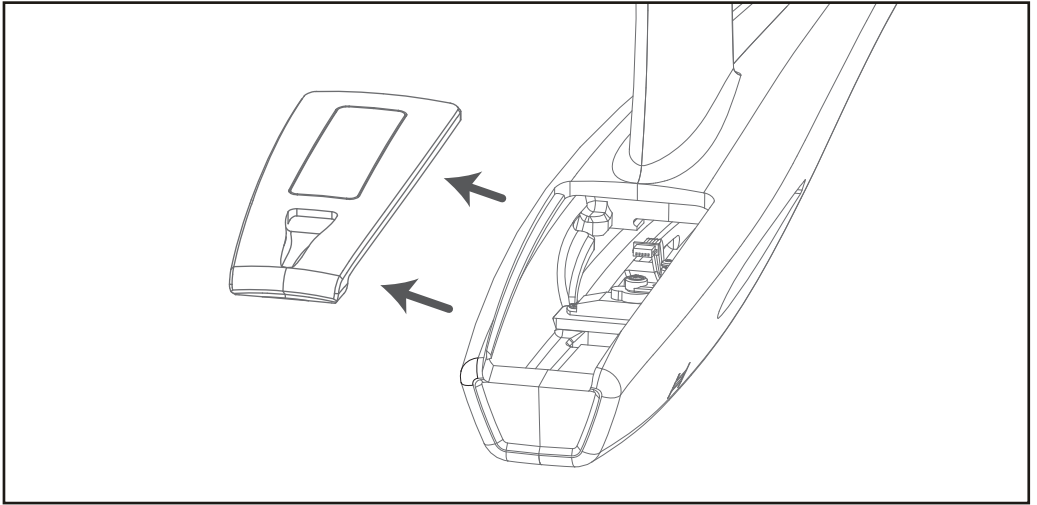
- 2 x Main Landing Gear
- 1 x 650mAh 2S 7.4V Li-Po Battery
- 1 x USB Charger
- 1 x Bottom Wing Mount
- 5 x Screw M2x10mm
- 4 x Screw M1.7x6mm



## Model Assembly - Horizontal Tail Installation

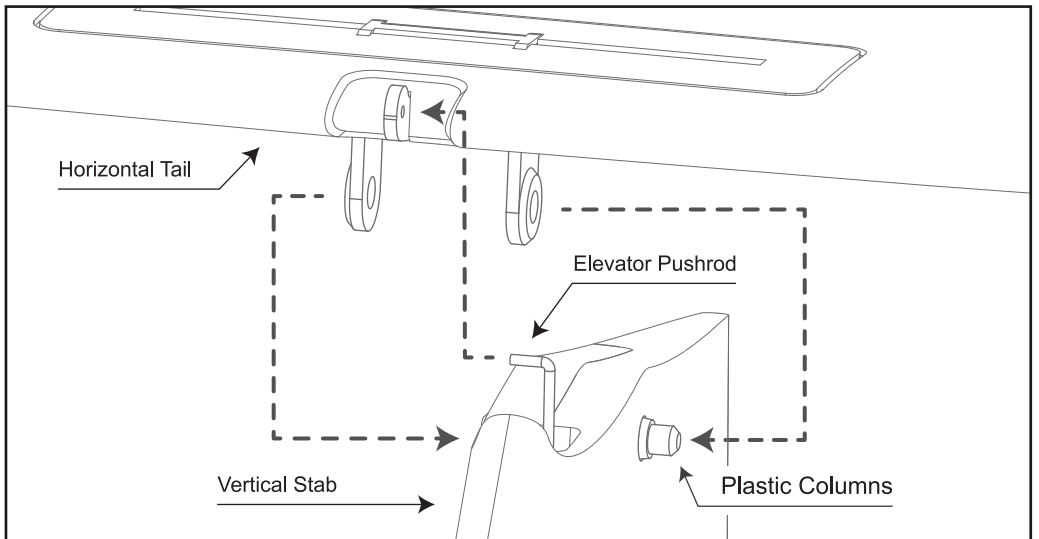
Parts required: Fuselage, Horizontal Tail

1. Lift at the front of the hatch to remove it from the fuselage



2. Attach the end of the elevator pushrod at the top of the vertical stab into the corresponding hole in the center of the horizontal tail

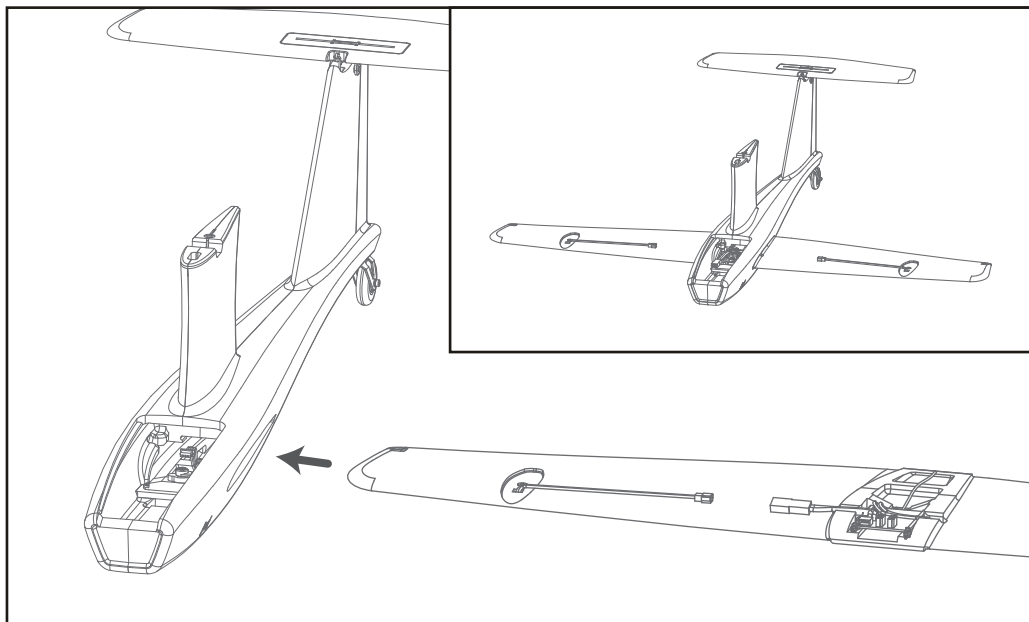
3. Insert the plastic columns at the top of the vertical stab into the corresponding holes at the bottom of the horizontal tail



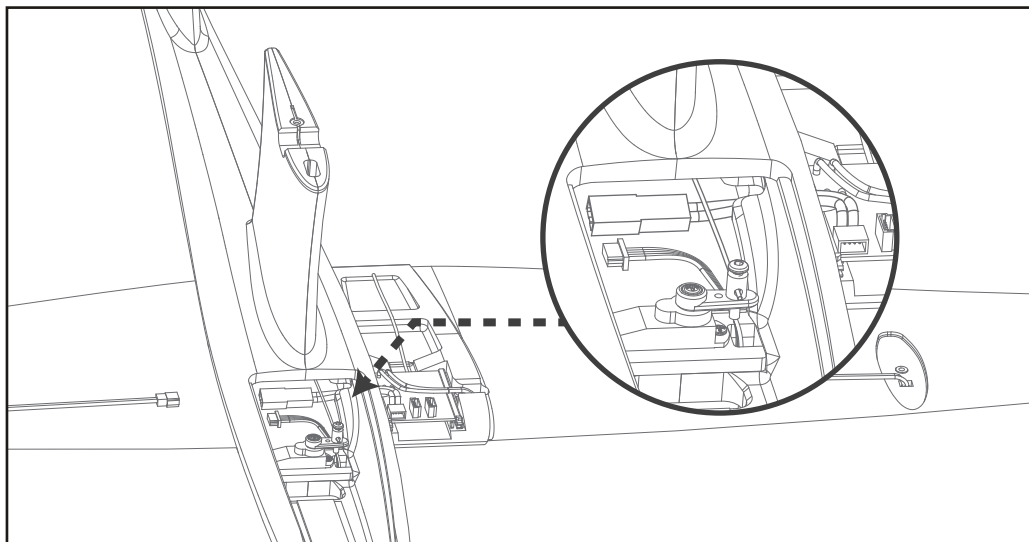
## Model Assembly - Bottom Wing Installation

Parts required: Fuselage, Bottom Wing

1. Insert the bottom wing through the hole in the center of the fuselage in place as shown



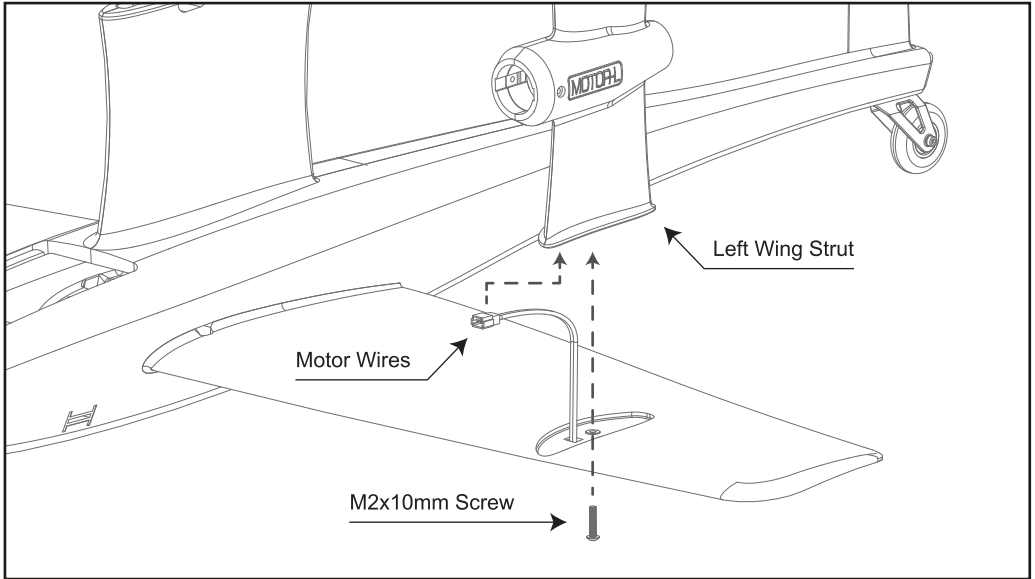
**Important:** Ensure all the control board wires on the bottom wing pass through under the elevator pushrod



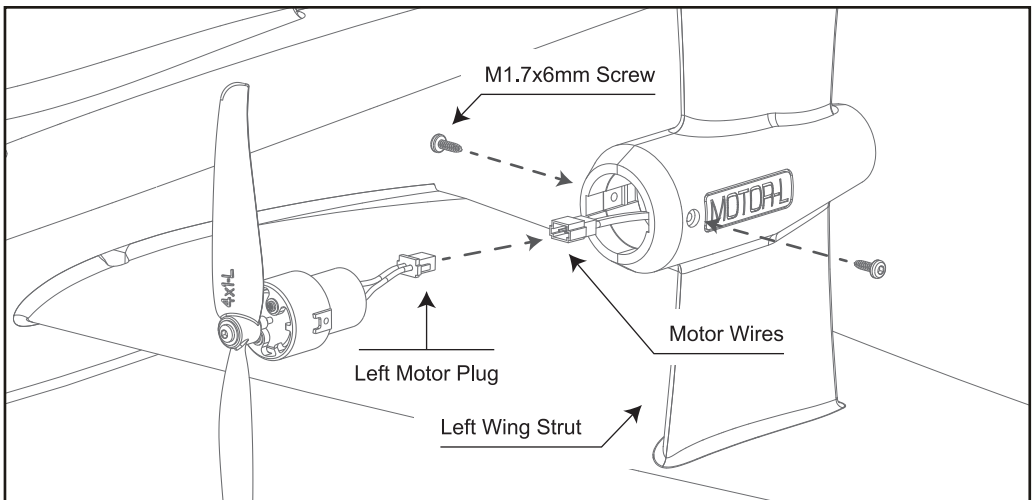
## Model Assembly - Left Motor and Left Wing Strut Installation

Parts required: Fuselage, Left Strut, Left Motor

1. Insert the motor wires (Brown/Red) on the bottom wing into the corresponding hole of the left wing strut
2. Attach and secure the left wing strut on the bottom wing with the included M2x10mm screw



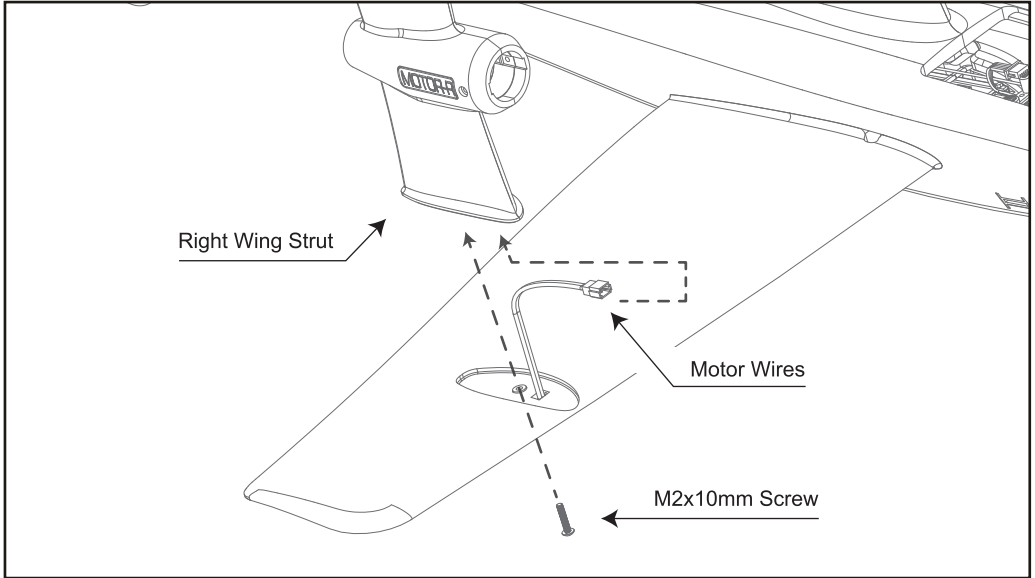
3. Plug the left motor plug into the motor wires and make sure the plug direction is correct (White to Red)
4. Attach the left motor into the left wing strut and secure with the included M1.7x6mm screws x 2



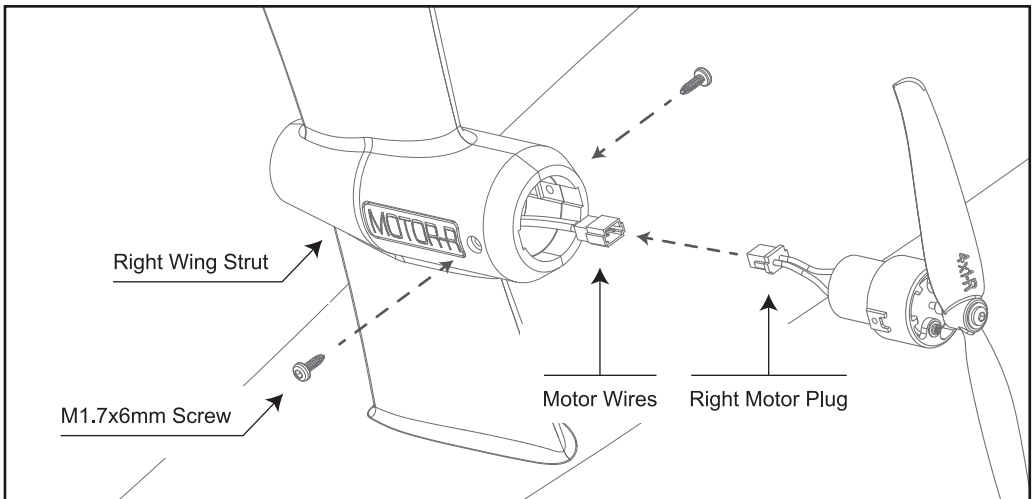
## Model Assembly - Right Motor and Right Wing Strut Installation

Parts required: Fuselage, Right Strut, Right Motor

1. Insert the motor wires (Brown/Red) on the bottom wing into the corresponding hole of the right wing strut
2. Attach and secure the right wing strut on the bottom wing with the included M2x10mm screw



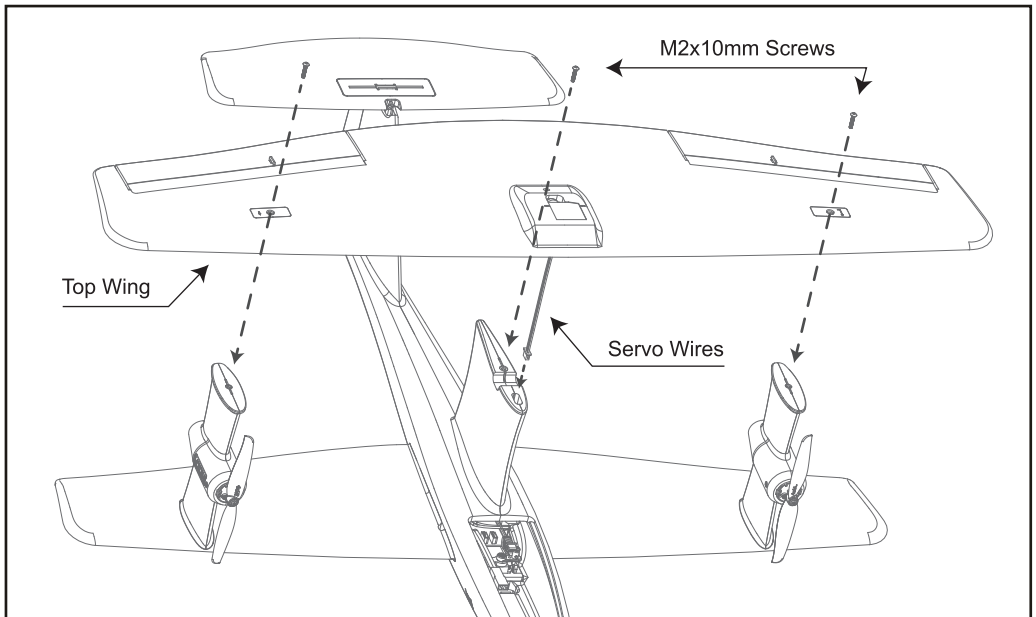
3. Plug the right motor plug into the motor wires and make sure the plug direction is correct (Red to Red)
4. Attach the right motor into the right wing strut and secure with the included M1.7x6mm screws x 2



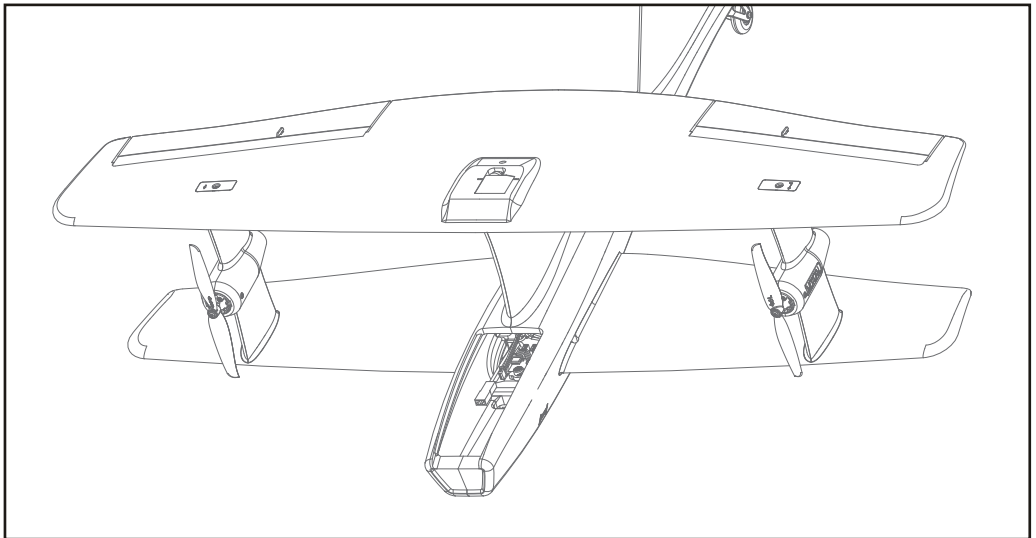
## Model Assembly - Top Wing Installation

Parts required: Fuselage, Top Wing

1. Insert the servo wires under the top wing into the corresponding hole at the top of the fuselage



2. Attach the top wing on the fuselage and secure with the included M2x10mm screws x3 as shown

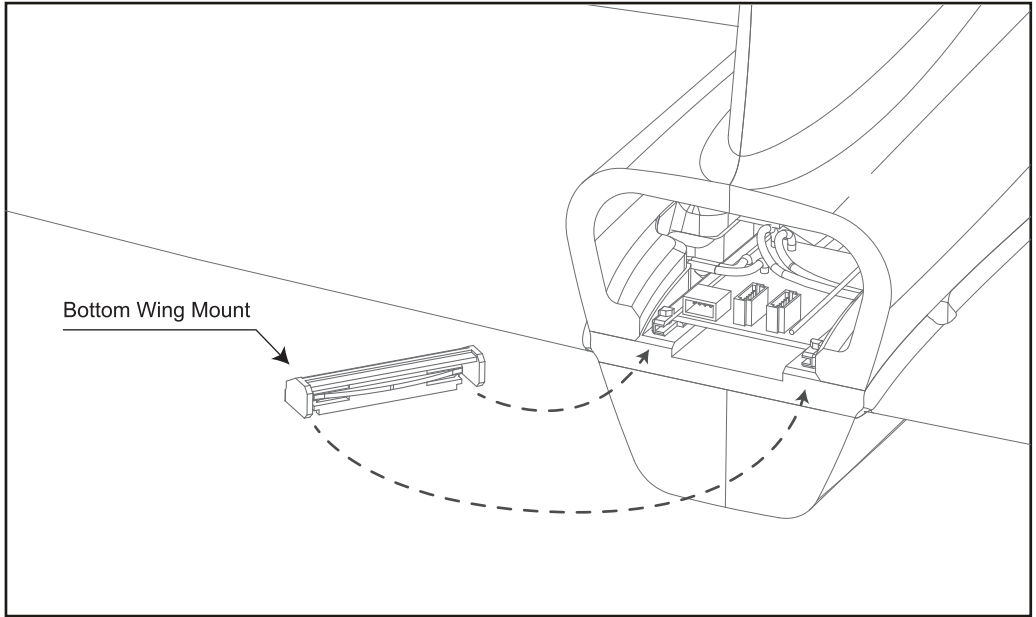




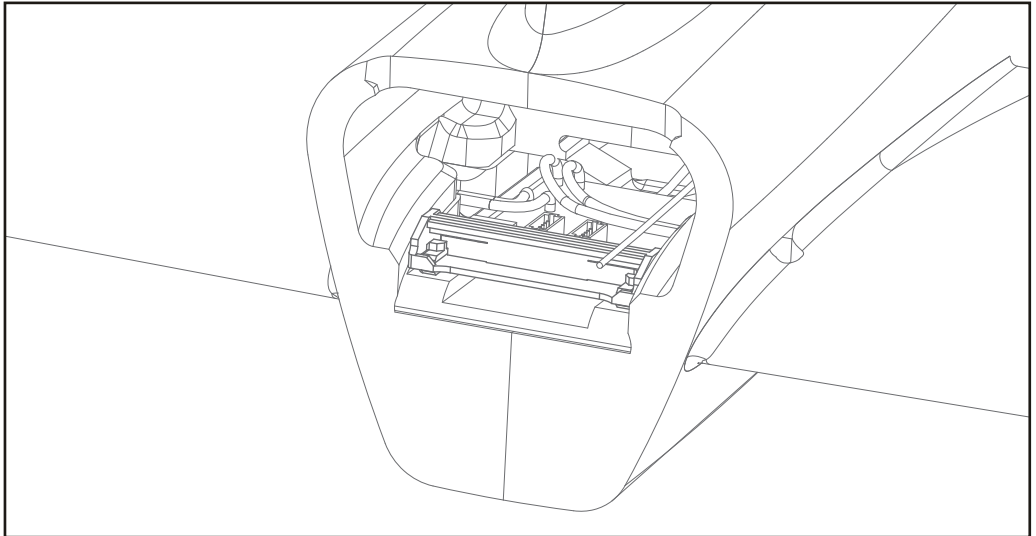
## Model Assembly - Bottom Wing Mount Installation

Parts required: Fuselage, Bottom Wing Mount

1. Attach the bottom wing mount into the front of the control board in the fuselage



2. Push the bottom wing mount in until its lock into place as shown

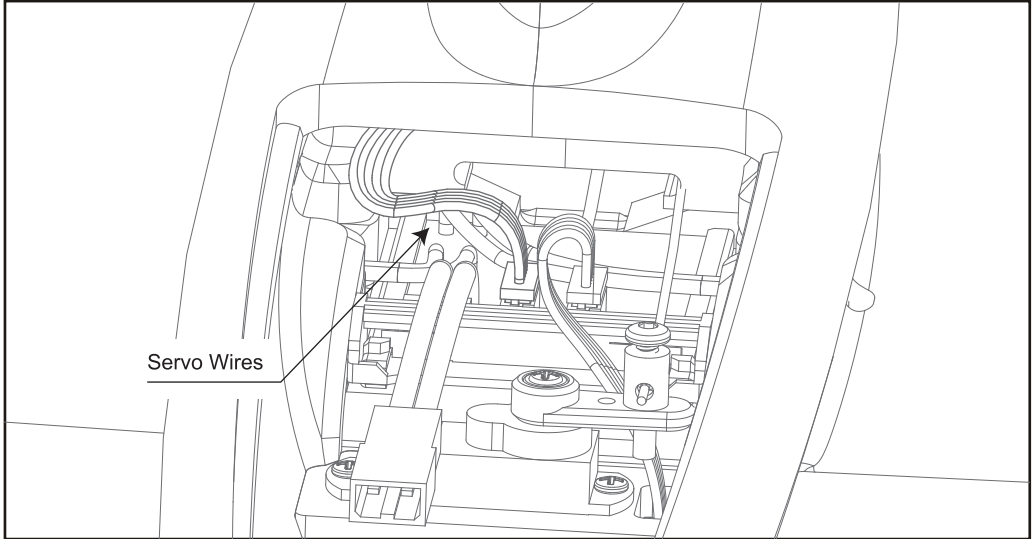


## Model Assembly - Servo Wires Installation

Parts required: Fuselage, Servo Wires

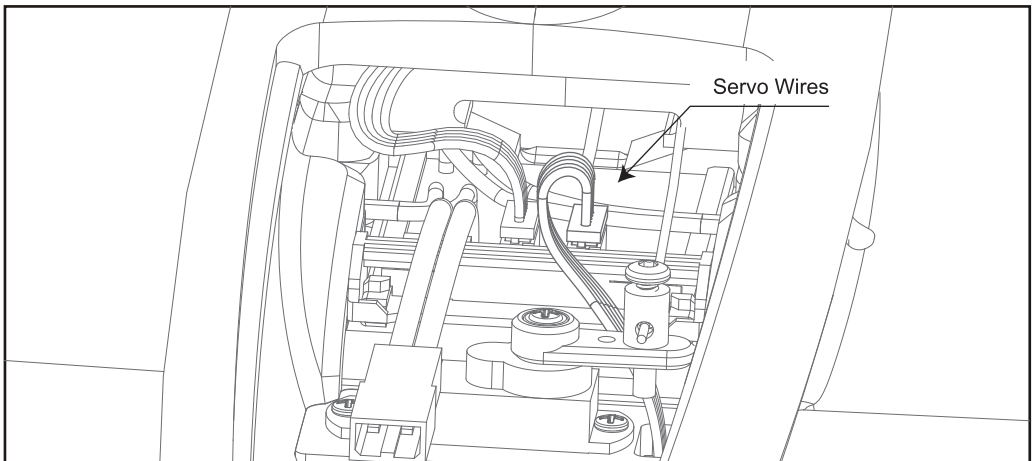
1. Connect the servo wires from the top wing to the corresponding port of the control board as shown

**Important:** Ensure to connect the servo wires (black wire is facing forward) and corresponding port in the same direction



2. Connect the servo wires from under the fuselage to the corresponding port in the control board as shown

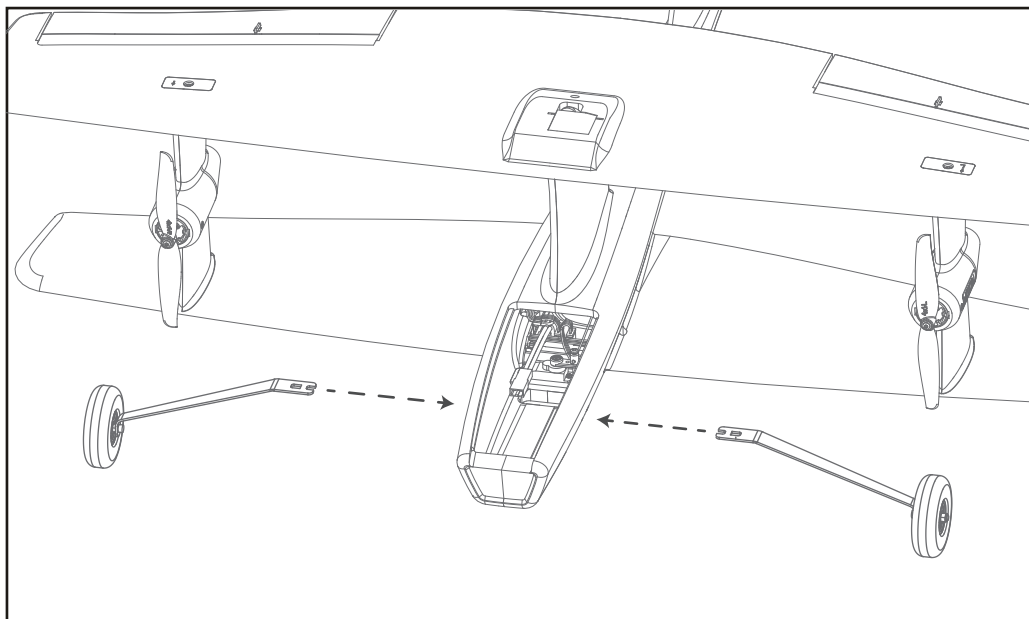
**Important:** Ensure to connect the servo wires (black wire is faces forward) and corresponding port in the same direction



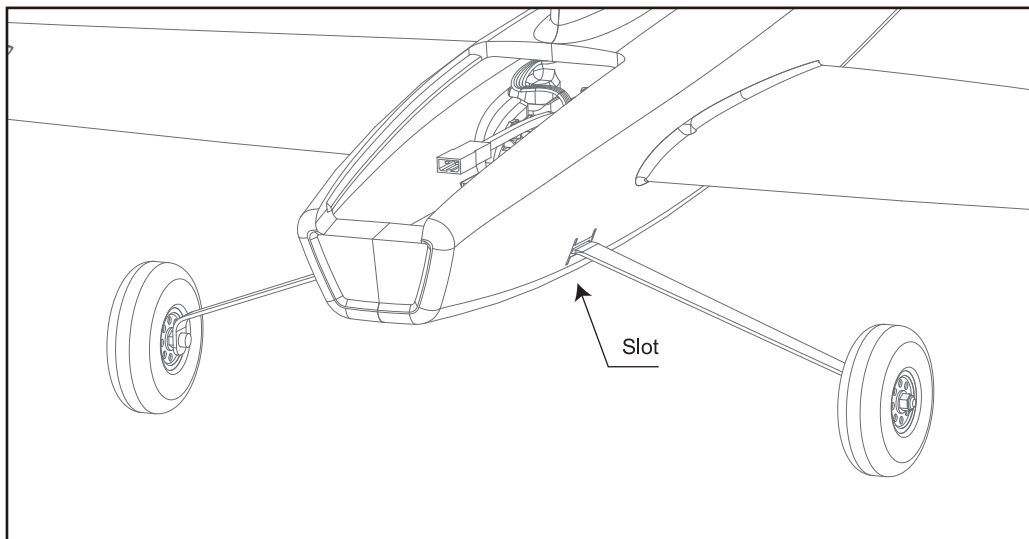
## Model Assembly - Main Landing Gear Installation

Parts required: Fuselage, Main Landing Gear

1. Slide the main landing gears into the slots in the side of the fuselage



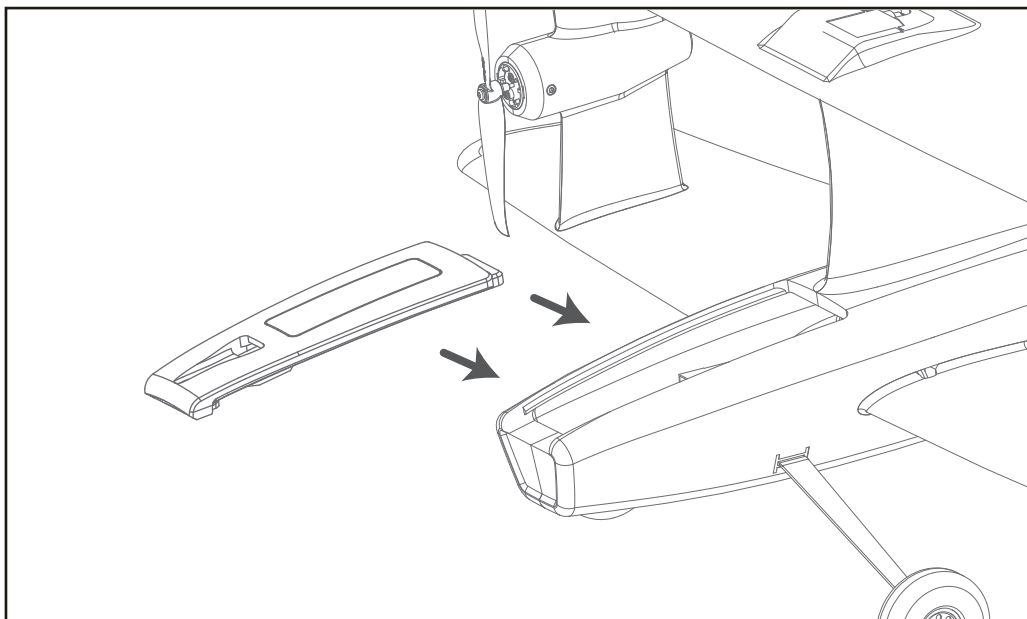
2. Slide the main landing gears into the slots in the side of the fuselage until they lock into place as shown



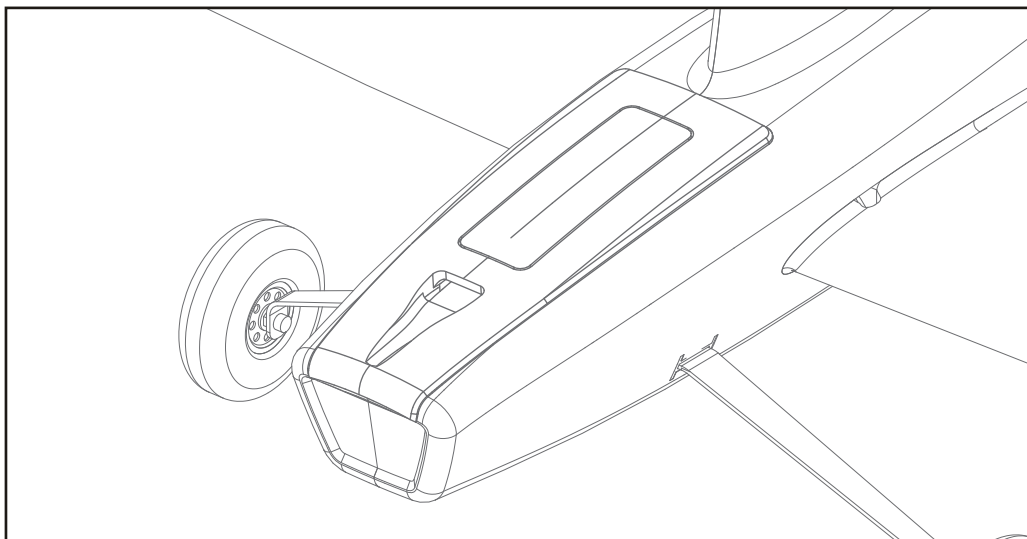
## Model Assembly - Hatch Installation

Parts required: Fuselage, Hatch

1. Mount the hatch onto the fuselage



2. Mount the hatch onto the fuselage as shown to complete the installation



## 安全注意事项和警告

本产品是通过无线电信号控制的，在操作时可能会受到其他无线电信号干扰，此干扰可能会影响本产品性能甚至会导致本产品失控。

### ⚠ 警告

1. 本产品具有一定的危险性，禁止14岁以下人士进行操作！
2. 不要将产品直接暴露在火或者对温度有影响的热源下。
3. 建议在5-35度，相对湿度20%-80%的环境中使用此产品。
4. 建议在没有风扇，冷气机，台灯或其他危险物件的地方操作此产品。
5. 电机为发热部件，请勿触摸，以免烫伤。

### ⊘ 禁止

1. 飞行时要远离人群，避免旁人围观！以免误伤他人！
2. 本产品内部是由许多精密的电子零件组成，因此必须保证防潮防水，避免在浴室或雨雾天气时使用，以免水气进入机体内部导致机器零件或电子零件故障而引发不可预测的意外。
3. 请勿对本产品进行任何改装或拆解。
4. 本产品在空中飞行时禁止用手或其他物品触及本产品的任何部位！避免造成不必要损失及人身伤害！

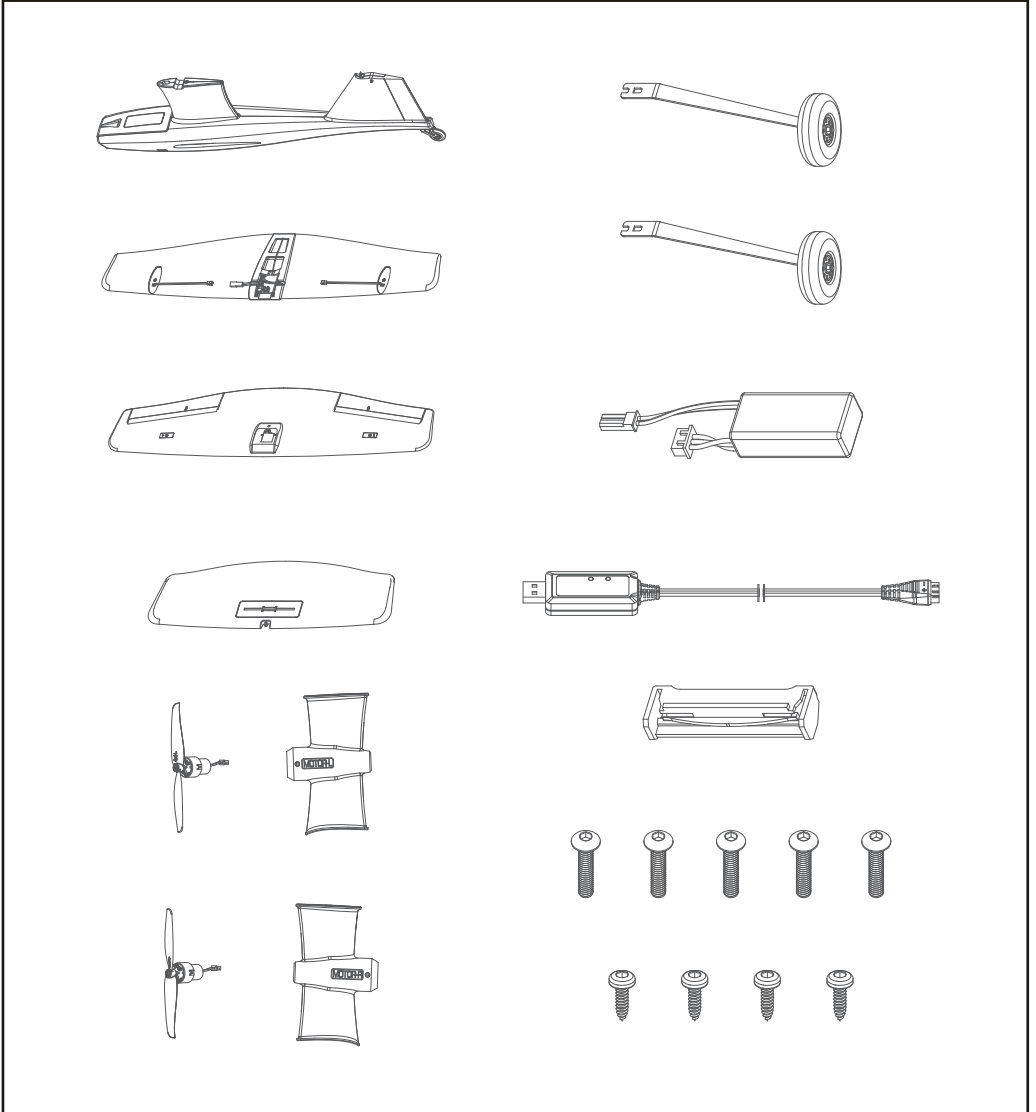
## 目录

包装内容 .....	14
飞机组装 - 平尾 .....	15
飞机组装 - 下机翼 .....	16
飞机组装 - 左动力组 .....	17
飞机组装 - 右动力组 .....	18
飞机组装 - 上机翼 .....	19
飞机组装 - 塑料件 .....	20
飞机组装 - 舵机线 .....	21
飞机组装 - 主起落架 .....	22
飞机组装 - 机舱罩 .....	23

## 包装内容

- 1 x 机身
- 1 x 下机翼
- 1 x 上机翼
- 1 x 平尾
- 1 x 左动力组
- 1 x 右动力组

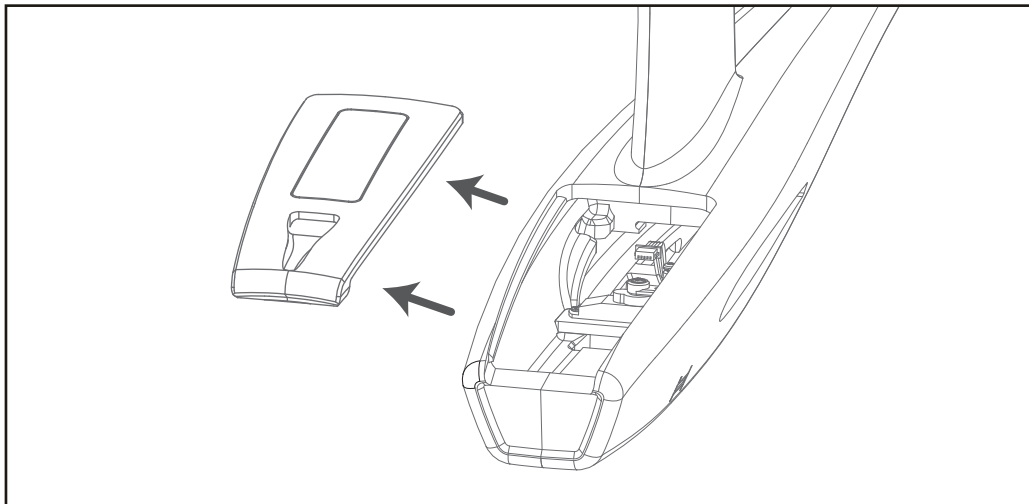
- 2 x 主起落架
- 1 x 2S 650mAh 20C 锂电池
- 1 x 2S锂电池充电器
- 1 x 塑胶件
- 5 x M2x10mm 螺丝
- 4 x M1.7x6mm 螺丝



# 飞机组装 - 平尾

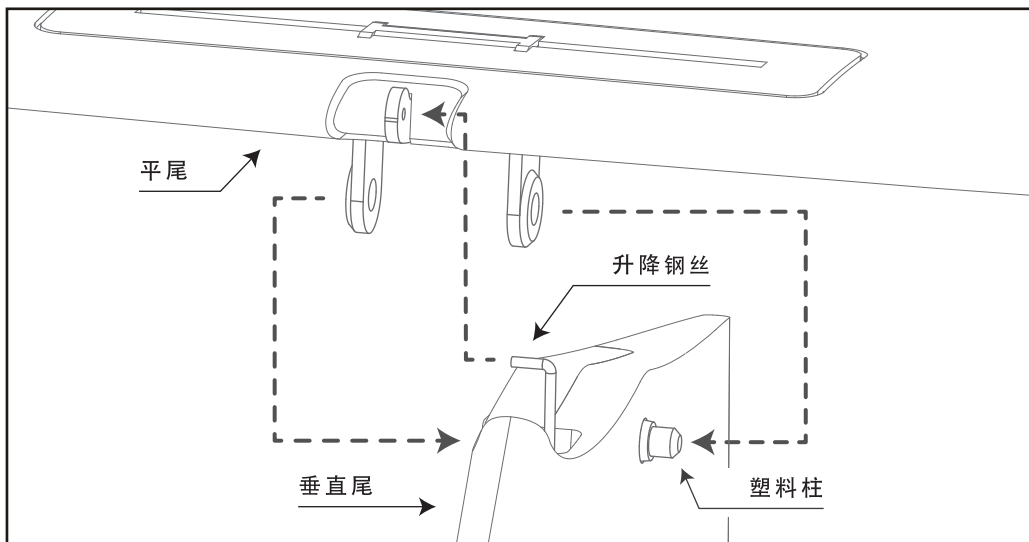
安装所需物件：机身，平尾

1. 提起舱门前部，将其从机身上卸下



2. 将垂直尾顶部的升降钢丝末端插入平尾中心的相应孔中

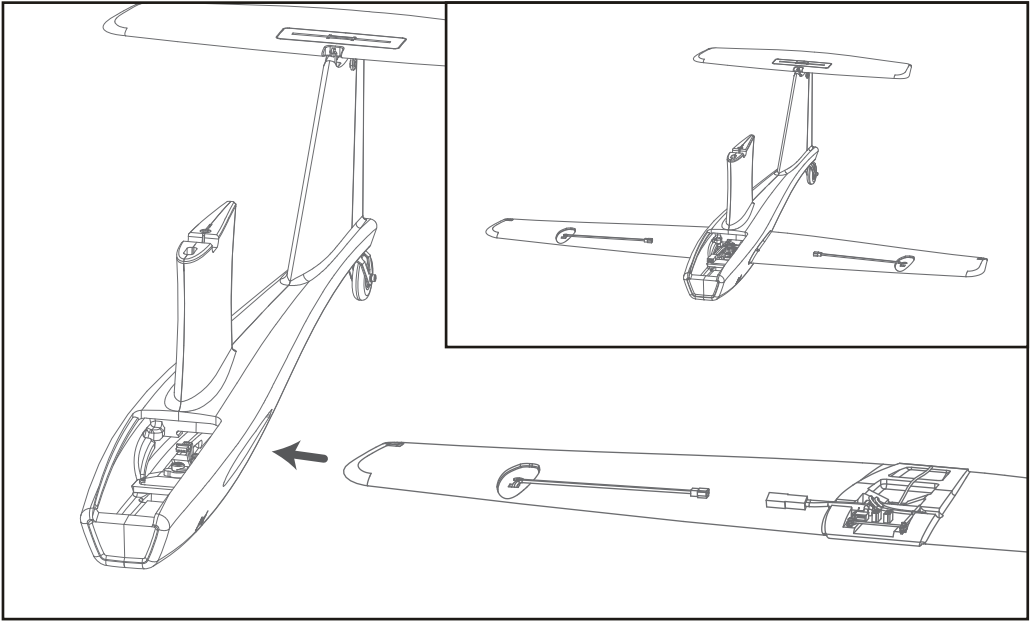
3. 将垂直尾顶部的塑料柱插入平尾底部下方的相应孔中



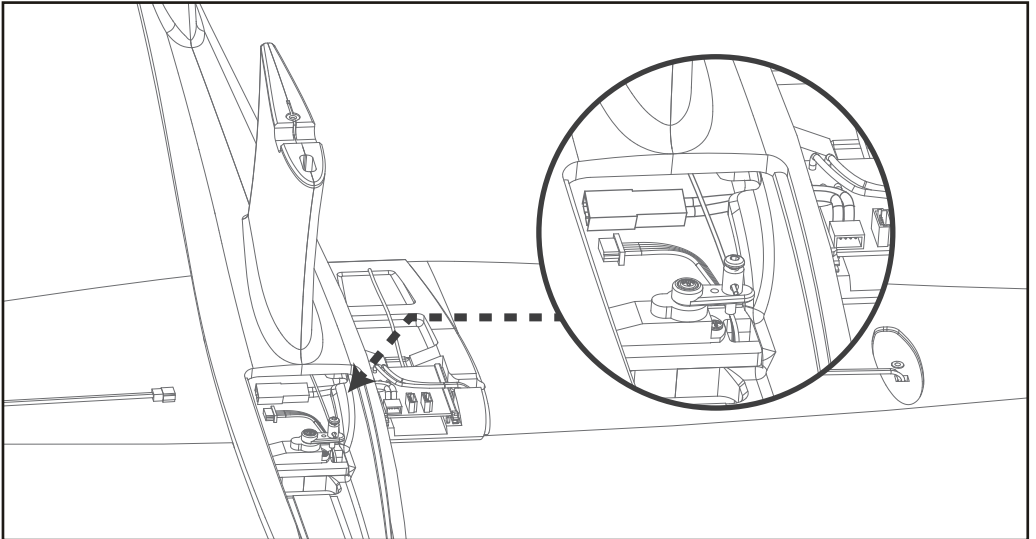
## 飞机组装 - 下机翼

安装所需物件：机身，下机翼

1. 如图所示，将下机翼通过机身中央的孔插入到位



**重要提示：**控制板上的所有线及插头需从钢丝下方穿过

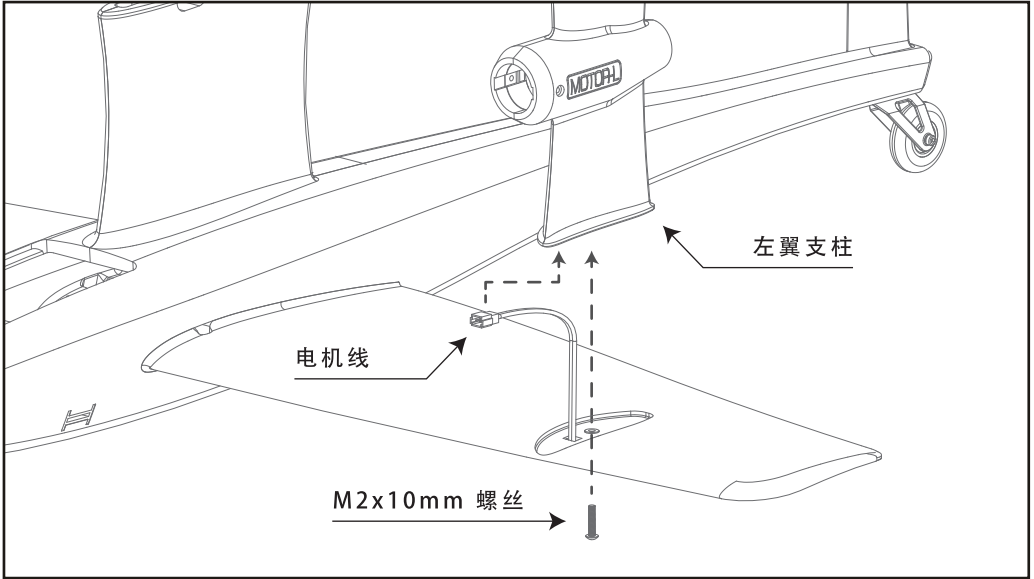




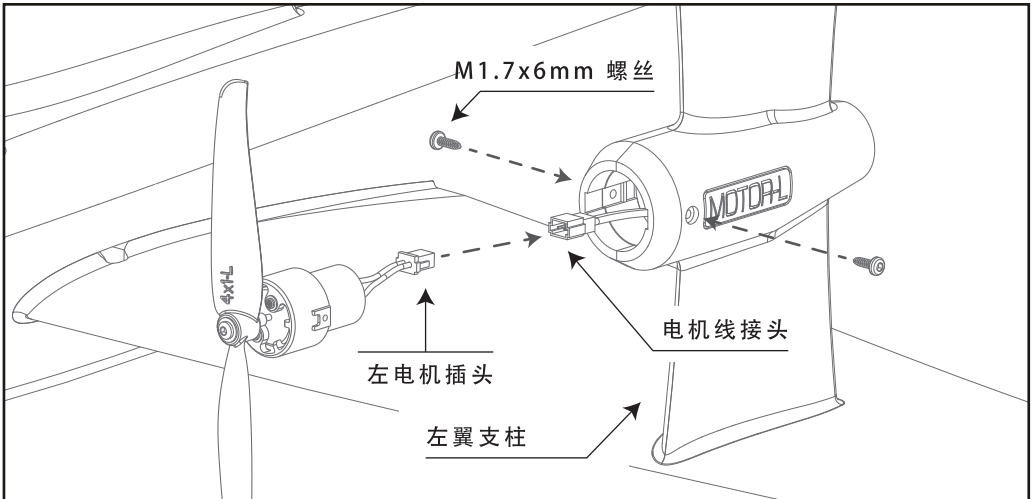
## 飞机组装 - 左动力组

安装所需物件: 机身, 左动力组

1. 将下机翼上的电机线(棕色/红色)插入左翼支柱的相应孔中
2. 使用随附的M2x10mm螺丝将左翼支柱连接并固定在下机翼上



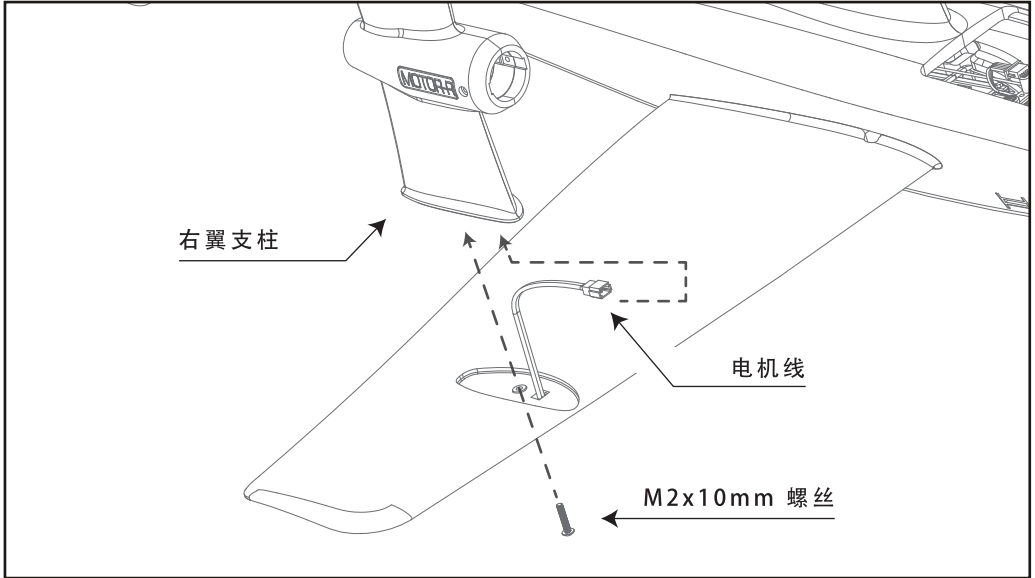
3. 将左电机插头插入电机线接头并确保插头方向正确(白线对红线)
4. 将左电机连接到左翼支柱并用随附的M1.7x6mm螺丝 x 2固定



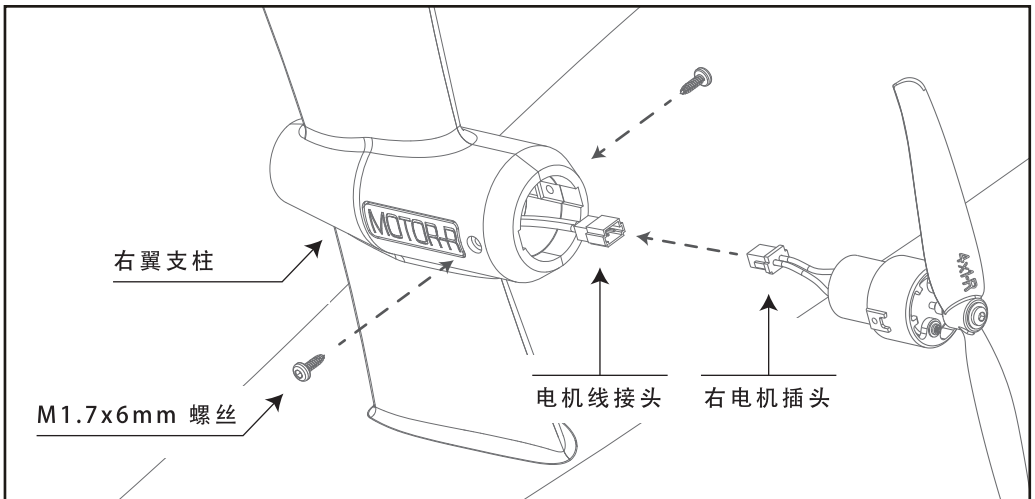
## 飞机组装 - 右动力组

安装所需物件: 机身, 右动力组

1. 将下机翼上的电机线(棕色/红色)插入右翼支柱的相应孔中
2. 使用随附的M2x10mm螺丝将右翼支柱连接并固定在下机翼上



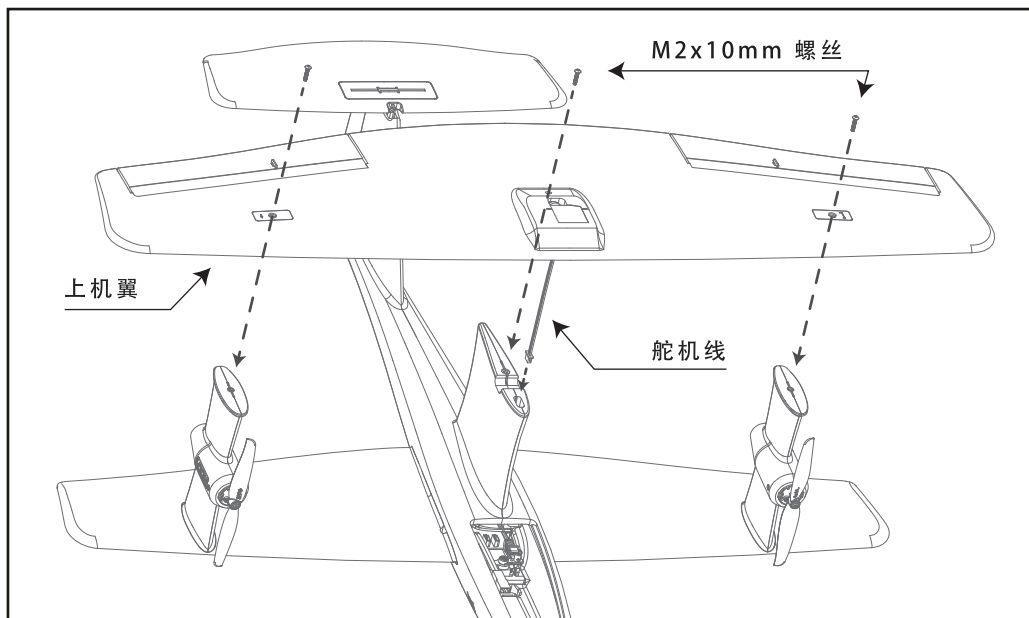
3. 将右电机插头插入电机线接头并确保插头方向正确(红线对红线)
4. 将右电机连接到右翼支柱并用随附的M1.7x6mm螺丝 x 2固定



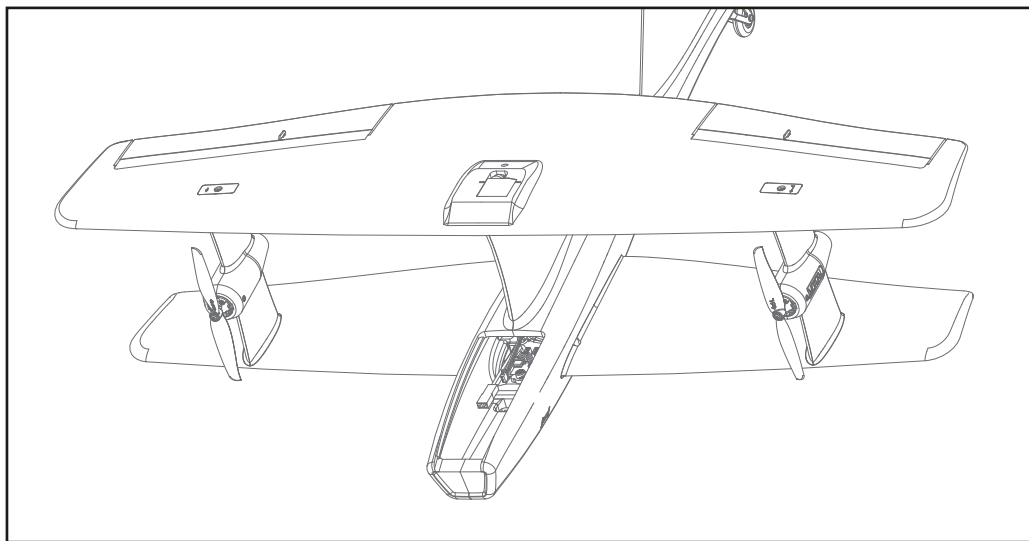
## 飞机组装 - 上机翼

安装所需物件: 机身, 上机翼

1. 将上机翼下方的舵机线插入机身顶部对应的孔中



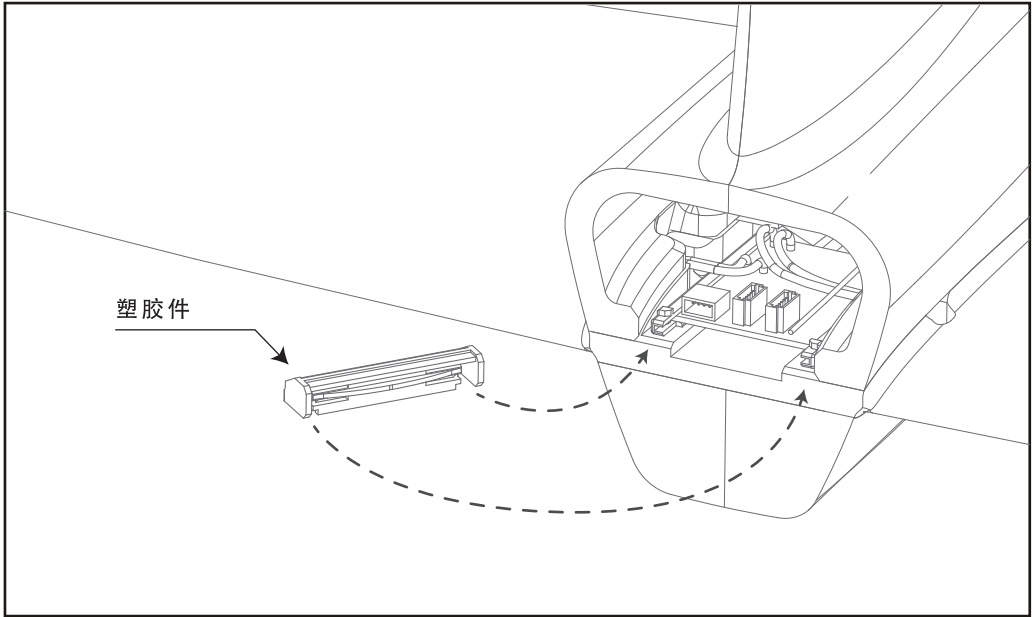
2. 将上机翼安装在机身上, 并用随附的M2x10mm螺丝 x3固定, 如图所示



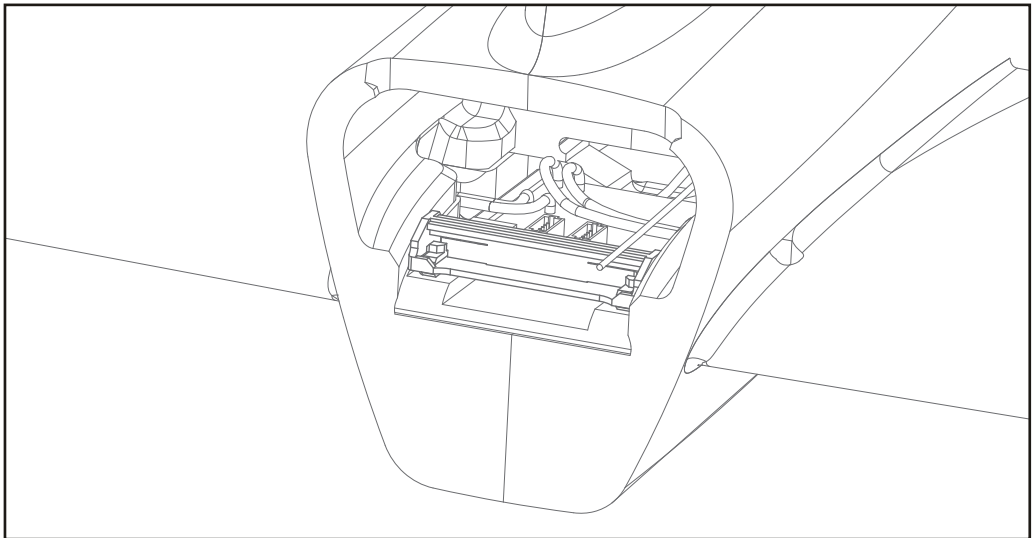
## 飞机组装 - 塑胶件

安装所需物件: 机身, 塑胶件

1. 将塑胶件安装到机身上控制面板的前方, 如图所示



2. 安装塑胶件直至其锁定到位, 如图所示

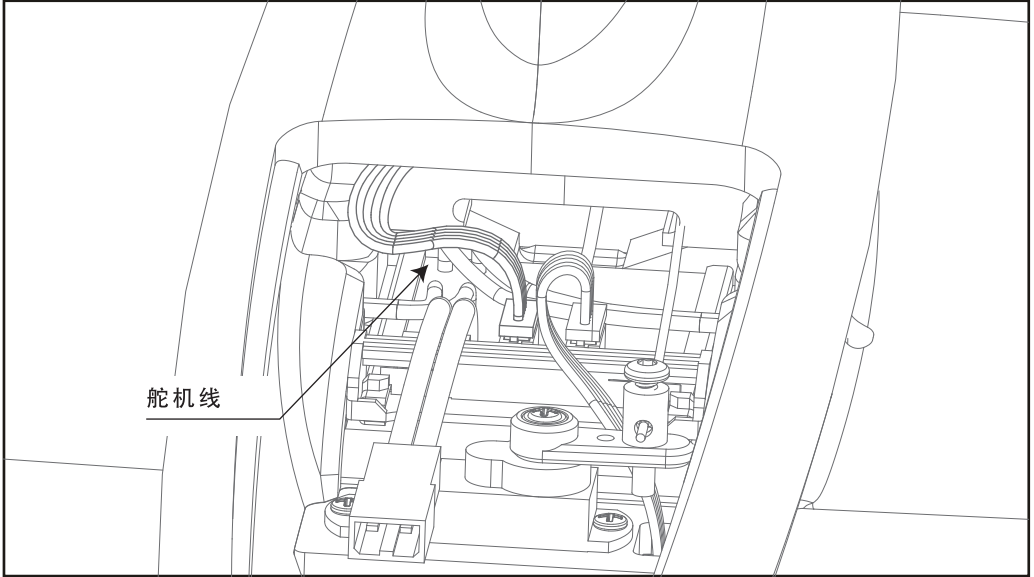


## 飞机组装 - 舵机线

安装所需物件: 机身, 舵机线

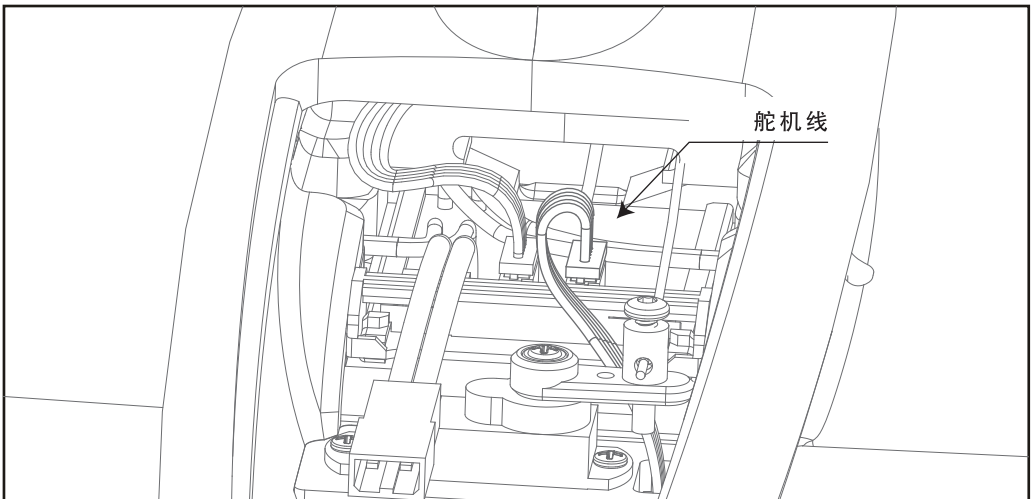
1. 如图所示将上机翼的舵机线接到机身对应的接口上

重要提示: 确保舵机线(黑线朝前)与对应端口同方向连接



2. 将机身下方的舵机线连接到机身对应的端口, 如图所示

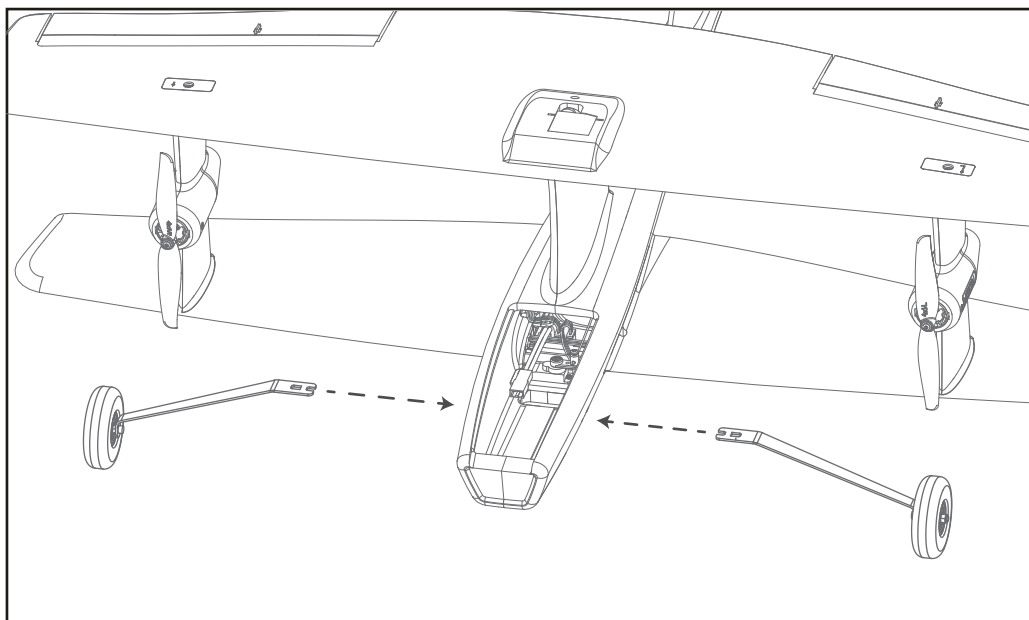
重要提示: 确保舵机线(黑线朝前)与对应端口同方向连接



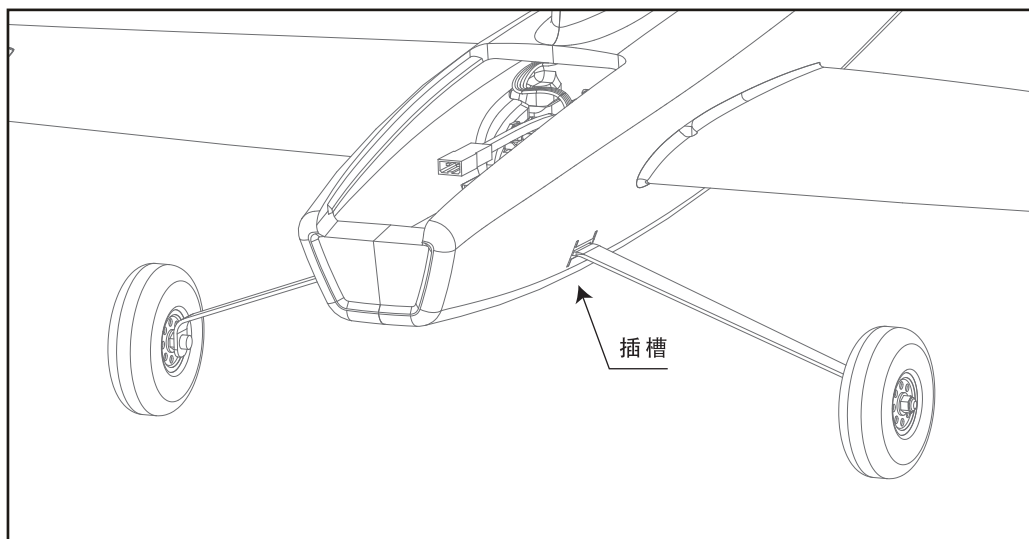
## 飞机组装 - 主起落架

安装所需物件: 机身, 主起落架

1. 将主起落架滑入机身侧面的插槽中



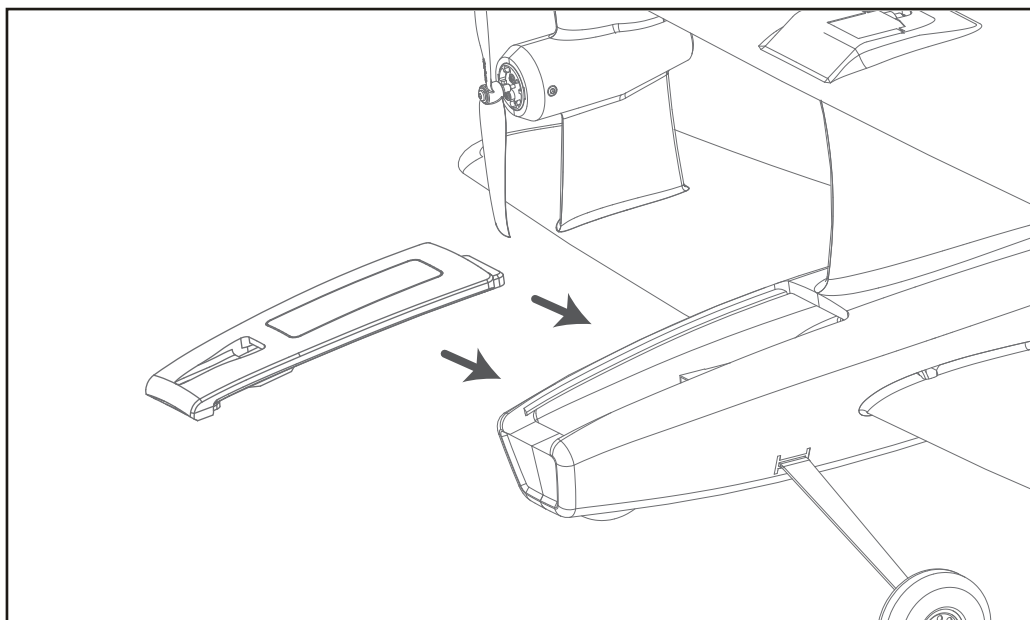
2. 将主起落架滑入机身侧面的插槽中, 直至其锁定到位, 如图所示



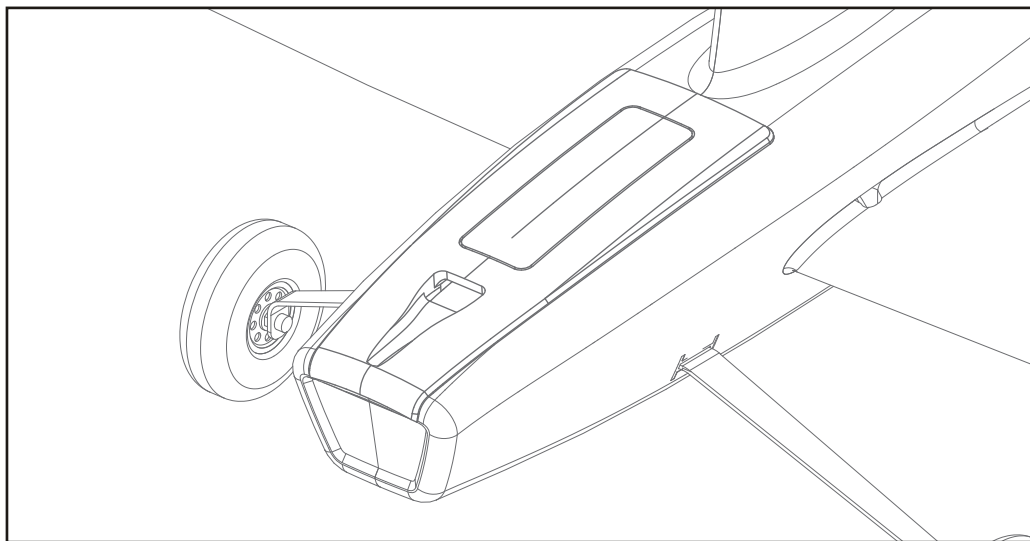
## 飞机组装 - 机舱罩

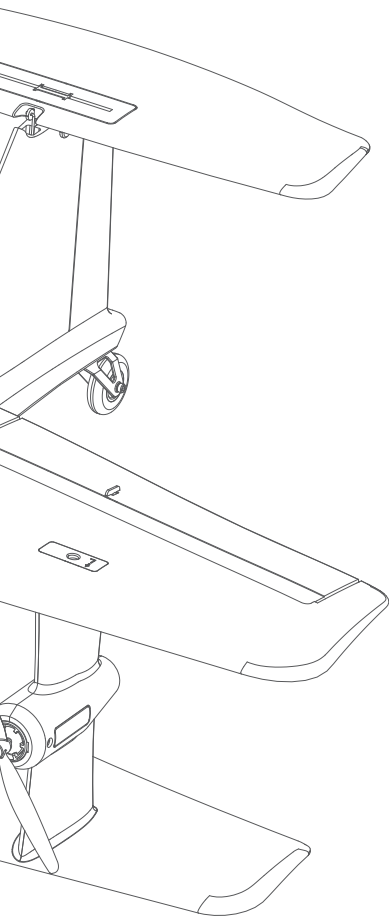
安装所需物件: 机身, 机舱罩

1. 将机舱罩安装到机身中



2. 如图所示将机舱罩装进机身, 完成安装





**E\_sky<sup>®</sup>**

All instructions are subject to change at the sole discretion of Zonda Hobby. For up-to-date product literature, Visit [esky-rc.com](http://esky-rc.com) and click on the support tab for this product.

忠达模型保留更改所有说明的权利，说明及其它附属资料的变更将不另行通知，如需更新或获取更多资讯，请访问[esky-rc.com.cn](http://esky-rc.com.cn)